



(12) **United States Design Patent** (10) **Patent No.:** **US D475,625 S**
Lin (45) **Date of Patent:** **** Jun. 10, 2003**

(54) **SHRIMP TRAY** D404,612 S 1/1999 Blazeovich
 5,869,120 A 2/1999 Blazeovich
 (76) Inventor: **Duke Lin**, 3450 Fujita St., Torrance, CA (US) 90505 D411,709 S 6/1999 Curtis et al.
 D420,285 S 2/2000 Sagan et al.
 6,021,903 A 2/2000 Hanson
 (**) Term: **14 Years** 6,022,571 A 2/2000 Blazeovich
 6,042,856 A 3/2000 Sagan et al.
 (21) Appl. No.: **29/166,607** D422,907 S 4/2000 Sagan et al.
 6,168,813 B1 1/2001 Blazeovich
 (22) Filed: **Aug. 28, 2002** D464,531 S * 10/2002 Blazeovich D7/553.6

(51) **LOC (7) Cl.** **09-07**
 (52) **U.S. Cl.** **D9/456**
 (58) **Field of Search** D7/554.3, 505,
 D7/543, 361, 552.1, 396.1, 545, 586, 553.6;
 D1/102; D9/337, 456, 425; 426/132, 129,
 106, 112; 62/457.6, 457.2; 219/732; 108/139;
 248/154, 145.6; 206/445; 211/74

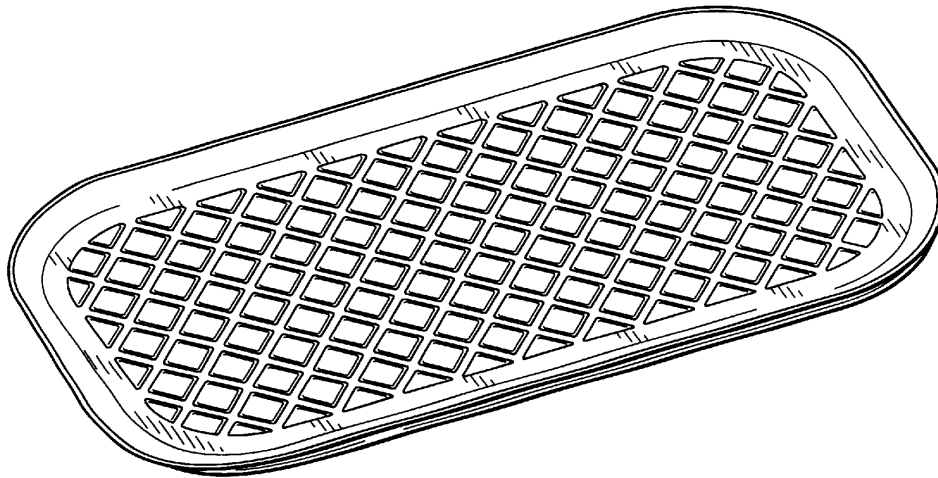
(56) **References Cited**
U.S. PATENT DOCUMENTS
 D218,024 S * 7/1970 Clayron D9/425
 D263,268 S * 3/1982 Rein D7/554.3
 D268,568 S * 4/1983 Holden D9/425
 D283,012 S * 3/1986 Jankens D9/456
 D364,090 S 11/1995 Krupa
 D394,985 S 6/1998 Curtis et al.
 D396,606 S 8/1998 Blazeovich

* cited by examiner
Primary Examiner—Charles A. Rademaker
 (74) *Attorney, Agent, or Firm*—John D. Bauersfeld; Kelly Bauersfeld Lowry & Kelley, LLP

(57) **CLAIM**
 The ornamental design for a shrimp tray, as shown and described.

DESCRIPTION
 FIG. 1 is a top and side perspective view of the shrimp tray; FIG. 2 is a top plan view of the shrimp tray, the bottom plan view being substantially a reverse image; FIG. 3 is a side elevational view of the shrimp tray; and, FIG. 4 is an end elevational view thereof.

1 Claim, 1 Drawing Sheet



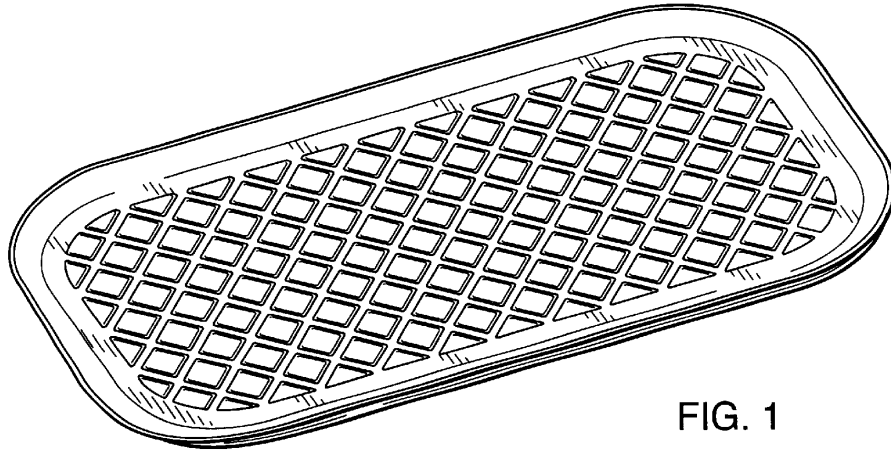


FIG. 1

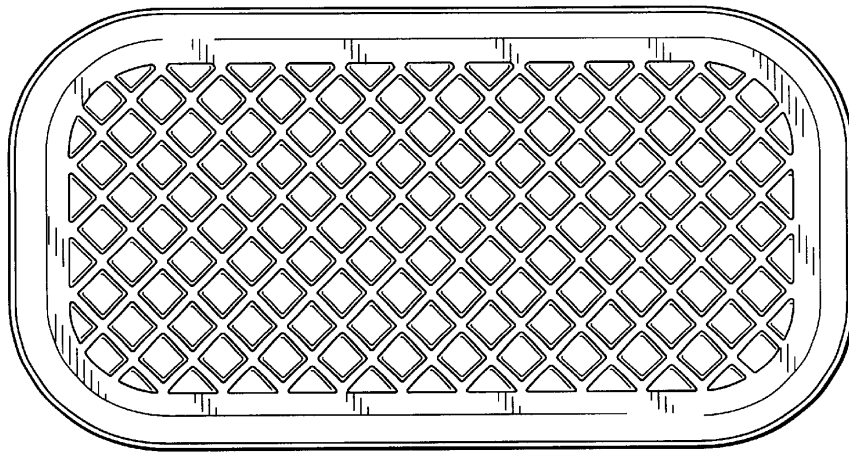


FIG. 2

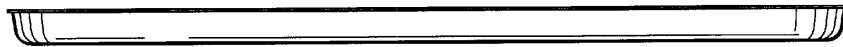


FIG. 3



FIG. 4